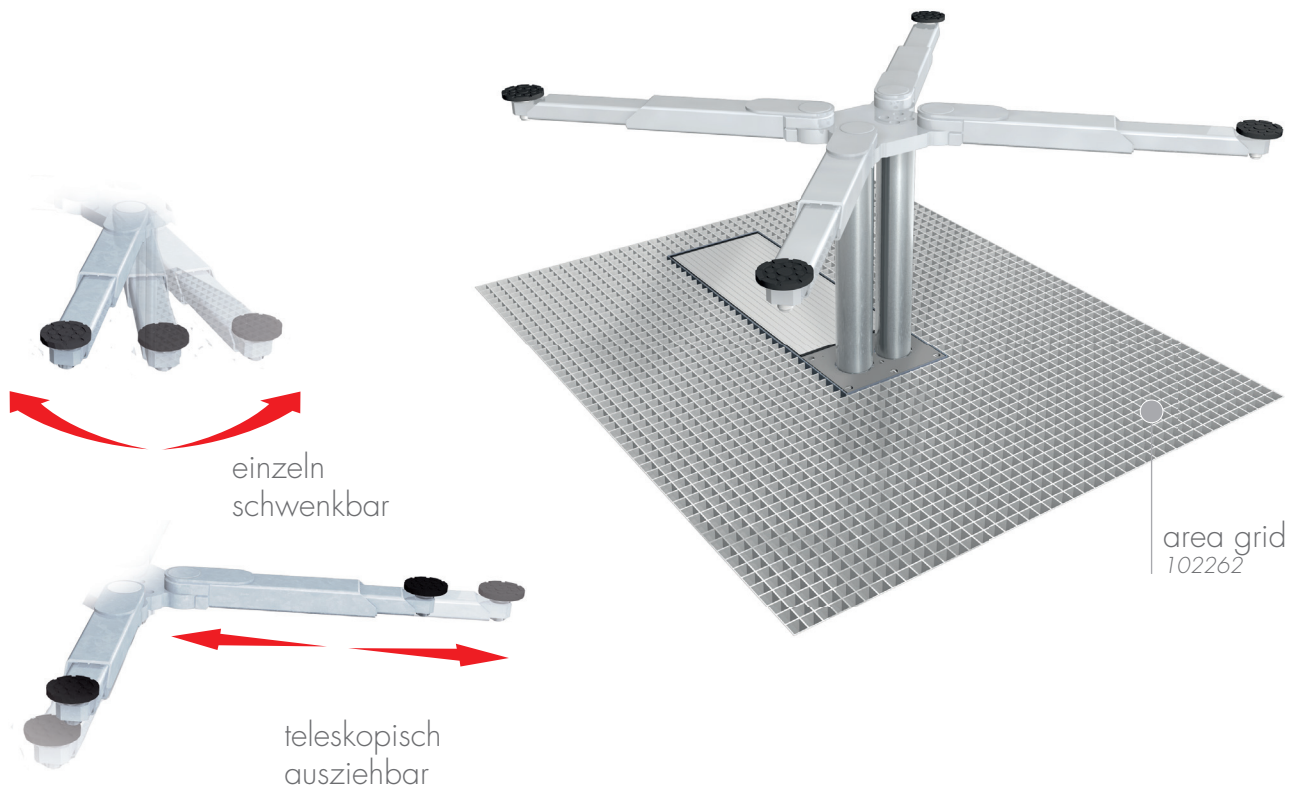
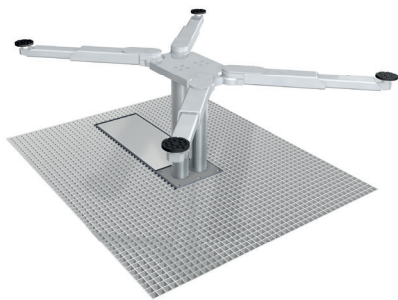


Classic 1.35 X



Classic 1.35 X midi



Classic 1.35 X maxi



TECHNICAL DATA

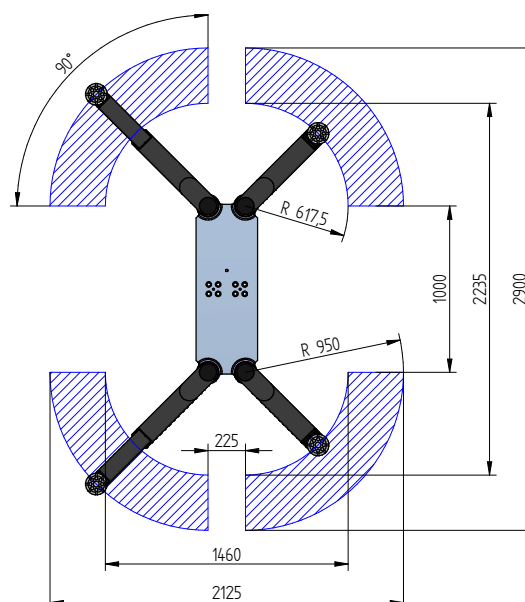
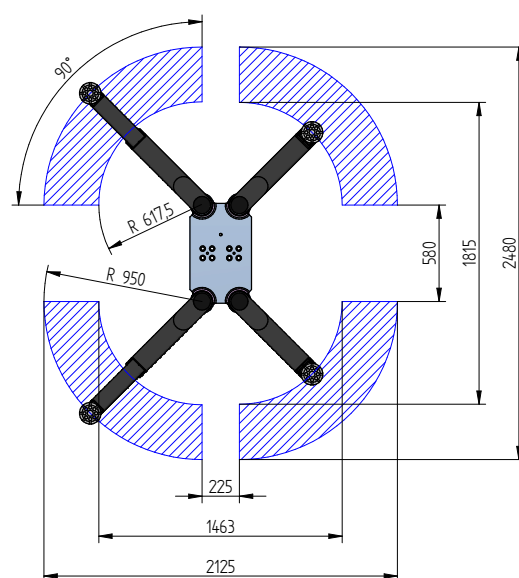
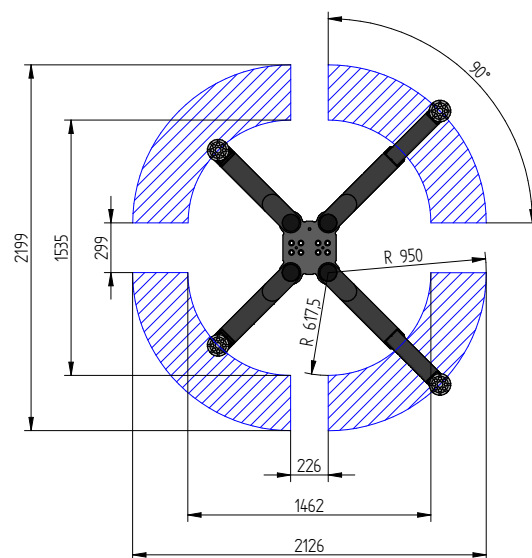
capacity	3500 kg
effective raise height	2066,5 mm
move in height	98 mm
piston diameter	123 mm
installation depth	2408 mm
motor output	3,0 kW
power connector	400 V/16 A
cable length to control	11 m
lifting time	≈ 35 sec.
lowering time	≈ 35 sec.

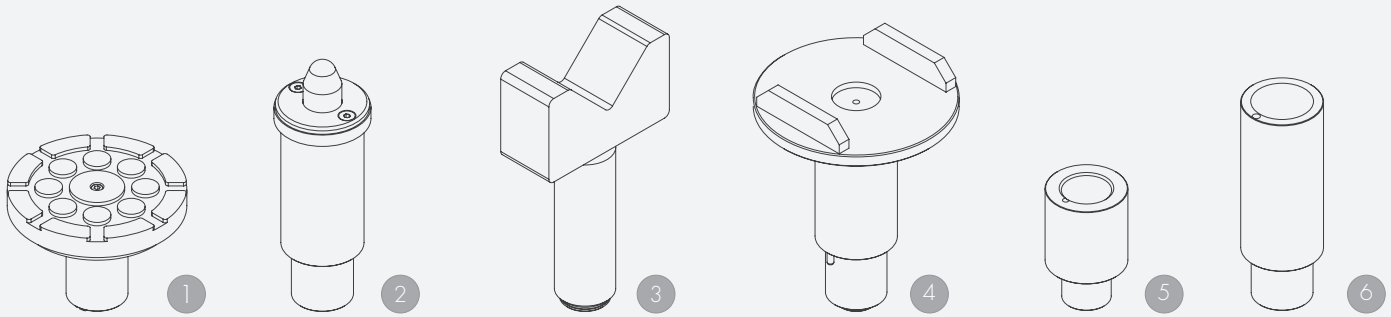
Support Classic 1.35DC X galvanized	109779
Support Classic 1.35DC X midi galvanized	110173
Support Classic 1.35DC X maxi galvanized	110174
Installation cassette 1-piston DC STEEL	2040XX
Installation cassette 1-piston DC STEEL galvanized	2041XX
Lifting unit oil 3,5 t 1-piston DC - K pre-assembled in installation cassette	110077
Lifting unit oil 3,5 t 1-piston DC - H packed in wooden box	110125

Classic 1.35 X

Classic 1.35X midi

Classic 1.35X maxi





1 | Stacking adapter
d130 x d 45 / 25-55 mm
102285 (1set / 4 pcs.)

2 | Stacking adapter NCV3 Dorn
d 45 x d 70 / 125-250 mm
102290 (1set / 2 pcs.)

3 | Stacking adapter V-prism
d 45 / 182-312 mm
102289 (1set / 2 pcs.)

4 | Stacking adapter U-form
d 130 x d 45 / 193-295 mm
102288 (1set / 4 pcs.)

5 | Stacking adapter extension
80 mm
102284 (1set / 4 pcs.)

6 | Stacking adapter extension
130 mm
102287 (1set / 4 pcs.)

Herrmann AG
Bahnhofstrasse 32
D-93483 Pöding

Sales

Phone: +49 (0)9461/91388 50
Fax: +49 (0)9461/91388 33
E-Mail: sales@herrmann.de

Service

Phone: +49 (0)9461/91388 31
Fax: +49 (0)9461/91388 33
E-Mail: service@herrmann.de

www.herrmann.de