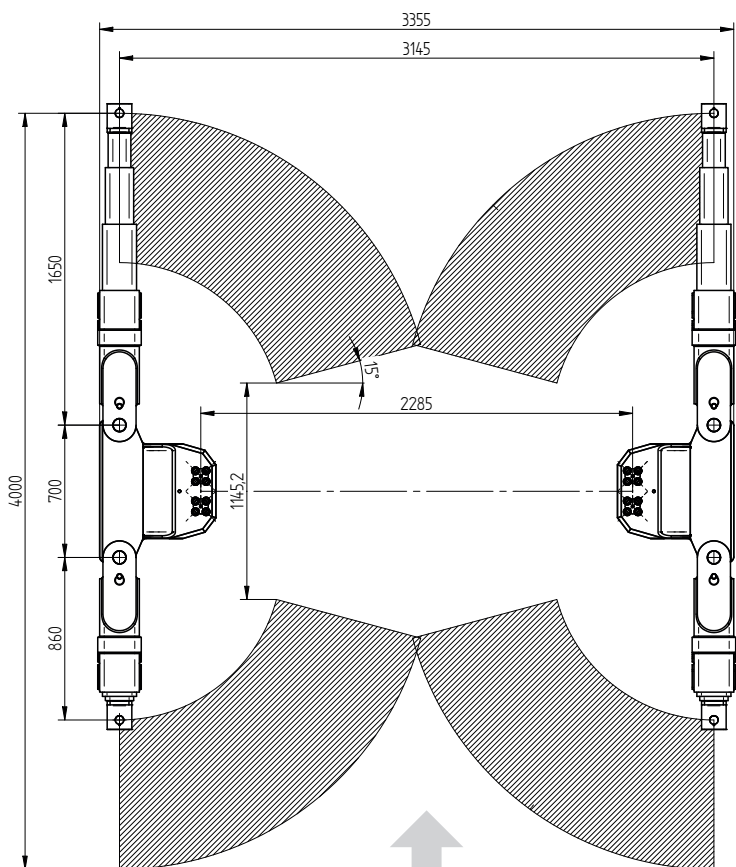
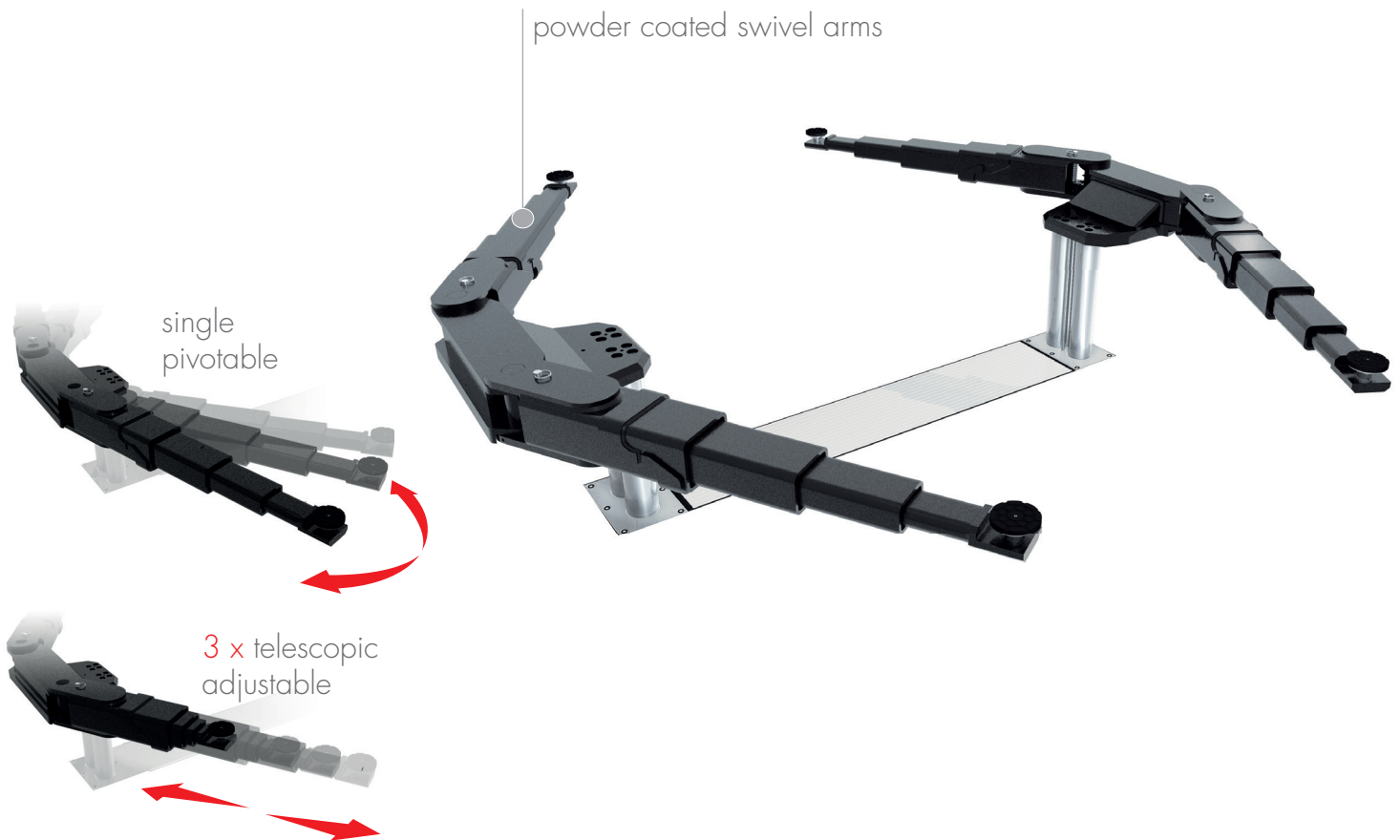


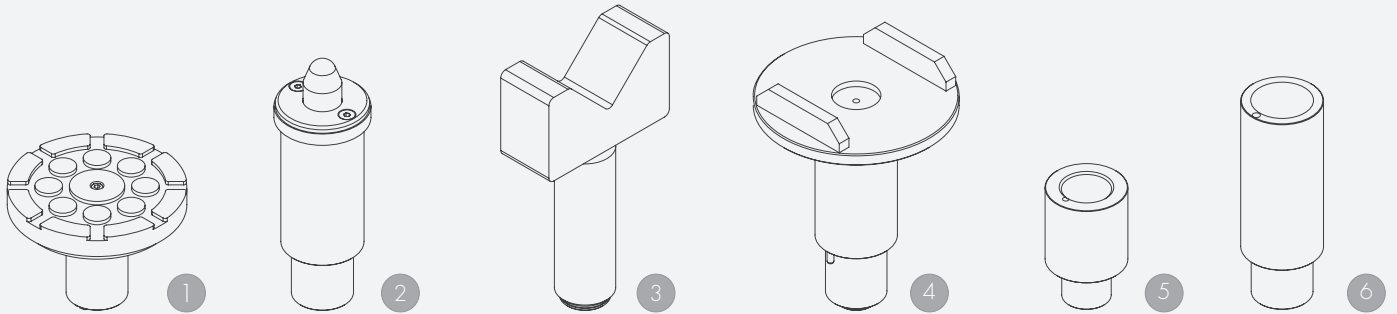
Duplex 4.65



TECHNICAL DATA

capacity	6500 kg
effective raise height	1963 mm
move in height	150 mm
piston diameter	123 mm
piston distance	2285 mm
installation depth	2408 mm
motor output	3,0 kW
power connector	400 V/16 A
cable length to control	11 m
lifting time	≈ 35 sec.
lowering time	≈ 35 sec.

Support Duplex 4.65	109128
Installation cassette STEEL 2285 mm Duplex	2320XX
Installation cassette STEEL 2285 mm Duplex galvanized	2321XX
Lifting unit oil 6,5 l Duplex 2285 mm - K pre-assembled in installation cassette	104955
Lifting unit oil 6,5 l Duplex 2285 mm - H packed in wooden box	104957



1 Stacking adapter
d130 x d 45 / 25-55 mm
102285 (1set / 4 pcs.)

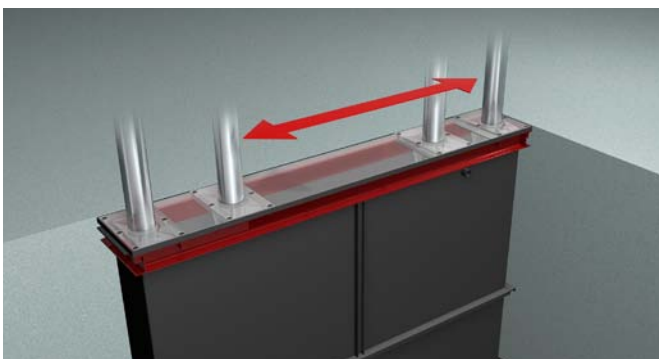
2 Stacking adapter NCV3 Dorn
d 45 x d 70 / 125-250 mm
102290 (1set / 2 pcs.)

3 Stacking adapter V-prism
d 45 / 182-312 mm
102289 (1set / 2 pcs.)

4 Stacking adapter U-form
d 130 x d 45 / 193-295 mm
102288 (1set / 4 pcs.)

5 Stacking adapter extension
80 mm
102284 (1set / 4 pcs.)

6 Stacking adapter extension
130 mm
102287 (1set / 4 pcs.)



Future Proof installation cassette

Steel 2285 mm,
drilling 2285/1785/1500
2220XX

Steel 2685 mm,
drilling 2685/1785/1500
2620XX

Steel galvanized 2285 mm,
drilling 2285/1785/1500
2221XX

Steel galvanized 2685 mm,
drilling 2685/1785/1500
2621XX



Herrmann AG
Bahnhofstrasse 32
D-93483 Pöding

Sales

Phone: +49 (0)9461/91388 50
Fax: +49 (0)9461/91388 33
E-Mail: sales@herrmann.de

Service

Phone: +49 (0)9461/91388 31
Fax: +49 (0)9461/91388 33
E-Mail: service@herrmann.de

www.herrmann.de